

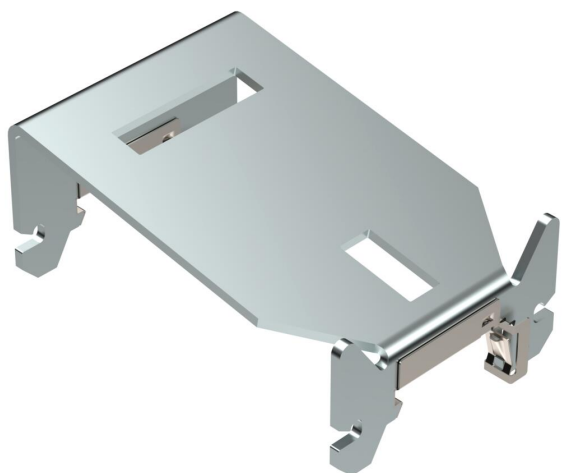
Technical data sheet

10° Short support for PV module mounting, flat roof

Item number: 5901660



Short support for PV module mounting on flat roofs. Mounting in combination with support profile TPF 35 and universal clamp KLU or end and connection clamps with springs (KLE F/KLZ F). Angle of inclination 10°. Lockable fastening on support profile.



- St** Steel
- DD** Strip galvanised zinc/aluminium, Double Dip

Master data

Item number	5901660
Type	STK AD DD
Description 1	Short support
Description 2	for flat roof system
Manufacturer	OBO
Dimension	126,6x51,7x80
Colour	zinc
Material	Steel
Surface	Strip galvanised zinc/aluminium, Double Dip
Surface standard	DIN EN 10346
Smallest sales unit	8
Unit of quantity	Piece
Weight	29.1 kg
Weight unit	kg/100 pc.

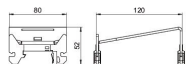
Technical data sheet

10° Short support for PV module mounting, flat roof

Item number: 5901660



Dimensions



Length	126.6 mm
Width	80 mm
Height	51.7 mm

Technical data

With fastening material	no
Angle of inclination, max.	10 °
Angle of inclination, min.	10 °
Adjustable	no
Photovoltaic connection and fastening element version	Other
Torsion spring stiffness (k.rot.y)	0
Torsion spring stiffness (k.rot.z)	0
With module earthing	no